



A Q U A N E A

A Q U I T E N E W Y O U



PERFECT
LINE
2009
SP3 200999

9 independent
hydro massage zones

air bubble massage

chromotherapy

intuitive electronic
control with LCD display

anatomically shaped
tub basin



REHABILITACJA
2008



EDYCJA XIV 2009
**MEDAL
EUROPEJSKI**



AQUANEA

A Q U I T E N E W Y O U

Therapeutic bath tub for SPA and thalassotherapy applications with automatic zone hydro massage is a blend of the newest technology, modern design and ergonomic shape.

Treatment possibilities:

- whirlpool massage with an array of 186 nozzles
- air bubble massage - aeration via a system of 60 apertures
- chromotherapy
- baths in clear water or with addition of mineral salts, algae etc.
- possibility to combine some functions (e.g. air bubble bath with ozone)

Product features:

- 186 hydro massage nozzles
- 9 independent hydro massage zones
- 60 aeration nozzles for air bubble massage (via 3 aeration ducts)
- adjustment of intensity of air bubble massage
- aeration function for increased intensity of hydro massage
- pump "dry-run" operation safeguard
- 5 standard programs (customizable)
- 3 user programs
- automatic filling and drainage
- water duct rinsing and drying option
- filling through a thermostatic valve
- 4 chromotherapy lamps
- temperature measurement during filling and treatment
- automatic disinfection system
- descale indicator
- manual shower
- comfortable handgrips
- footrest, headrest and steps
- available basin colours: calypso green (standard) white (option)
- protection against accidental flooding during filling

Basic version features:

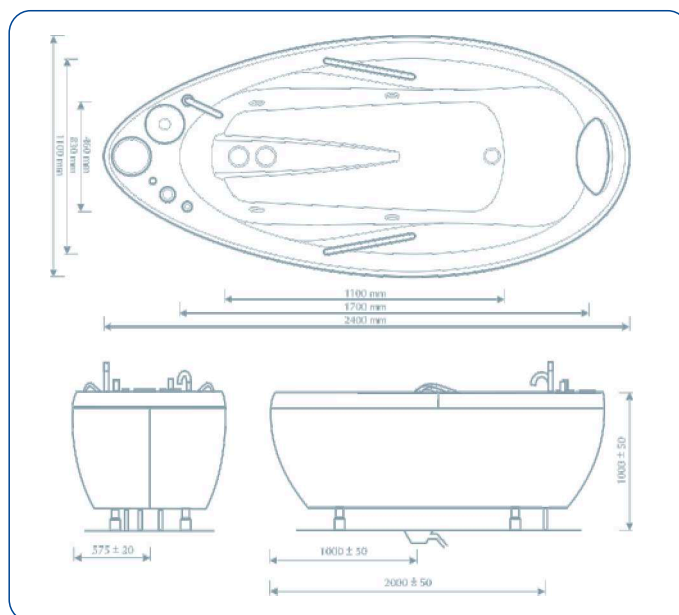
- electronic control with LCD display
- hydro massage: 186 nozzles (without zones) without programming
- manual filling (2 valves)
- automatic drainage
- shower for tub rinsing
- handgrips, portable steps for tub, headrest
- disinfection system with disinfection program
- water duct rinsing function



White (option)



Calypso green (standard)



Steps



Electronic control with LCD display



Headrest (white)

TECHNICAL DATA:

Dimensions [mm]:	2400 x 1100 x 1000
Capacity (minimum) [l]:	160
Pump [l / min.]:	800 (50 m ³ /h)
Supply voltage [V]:	400 / 50 Hz
Filling / drainage [min.]:	about 2,4 (minimum capacity)
Power consumption [kW]:	3,6 (full version) 2,5 (basic version)
Volume up to overflow [l]:	250
Weight [kg]:	220 - full version

Expanded version:

As in the basic version but hydro massage is done by means of 186 nozzles divided into 9 independent zones with 5 standard and 3 user programs.

Full version:

As in the expanded version with the following extra features:

- air bubble massage (with adjustable intensity) via 60 nozzles
- automatic filling through one thermostatic valve (instead of 2 valves)
- chromotherapy: 4 lamps and 4 programs
- water duct drying function